



John Meunier Cont-Flo[®]
TYPE CF
Vertical Bar Screen

WATER TECHNOLOGIES

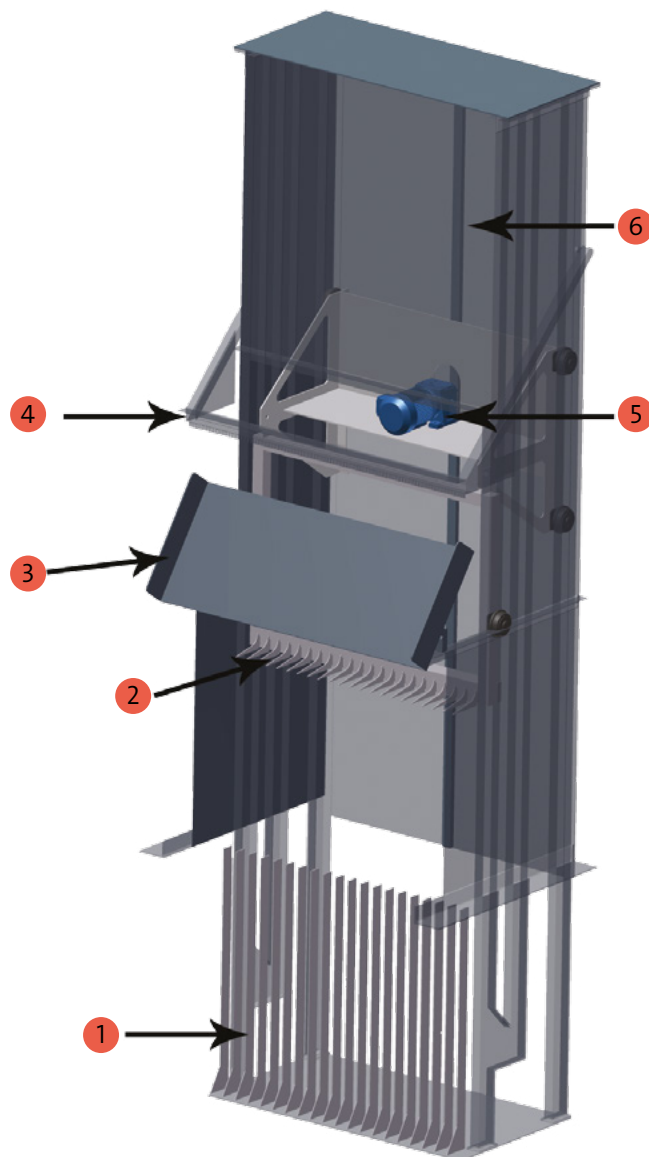
John Meunier Cont-Flo® Type CF Vertical Bar Screen

Screenings removal is an essential component of efficient headworks design. Removing undesirable, inorganic material from the raw influent greatly reduces wear and O&M requirements in the downstream processes. These criteria are successfully met with the very efficient and robust Cont-Flo Bar Screen. With over 800 units already in operation,

the heavy duty Cont-Flo has repeatedly proven its ability to provide simple, long lasting service in wastewater, pump station and stormwater applications. With over 800 installations worldwide, the Cont-Flo Bar Screen is a proven, reliable component of John Meunier pretreatment products.

Principle of operation

- Static bar rack (1) is installed at the base of screen frame, perpendicular to channel floor.
- When predetermined level differential or elapsed time is met, rake carriage (5) travel is initiated.
- Rack (6) and pinion driven rake carriage (5) travels to bottom of screen.
- Rake penetrates fully through bar rack from downstream side.
- Rake (2) carriage carries screenings upward to discharge chute (3) on upstream side of screen.
- Gravity operated wiper (4) sweeps screenings off of rake onto chute.
- Rake carriage (5) “parks” and awaits next initiating signal.



- | | |
|------------|----------------------|
| 1 Bar Rack | 4 Wiper |
| 2 Rake | 5 Drive and carriage |
| 3 Chute | 6 Rack rail |



Features of the CONT-FLO®

- Screen widths available from 14" to 96" (355 to 2445 mm).
- Screen depth available up to 80' (24.4 m) channel invert to discharge.
- Bar rack spacing available from 7/16" to 3" (11 to 75 mm).
- Offered in painted galvanized carbon or stainless steel construction.
- All maintenance performed from operating floor.
- Vertical structure reduces space requirements, limits civil cost and allows for easy retrofit.
- Versatile screen well suited to wastewater, pump station and stormwater applications.
- John Meunier products' superior application engineering, support and service.

Superior Design

Waste and stormwater screening applications represent some of the most severe duty conditions in water treatment and demand high quality, durable equipment. John Meunier headworks' design begin by addressing this demand, and continue to incorporate features that reduce and simplify operation and maintenance requirements and costs. The Cont-Flo Bar Screen incorporates many design features to address all of these factors.

The unit presents no moving parts nor maintenance requirement in the channel.

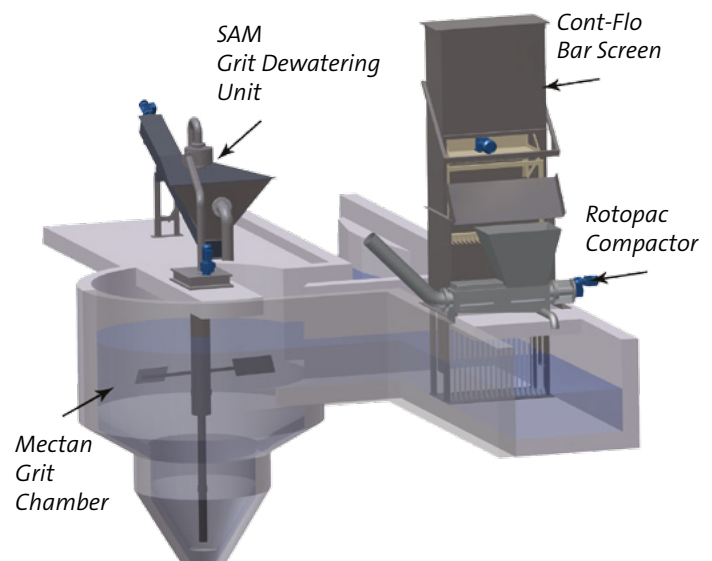
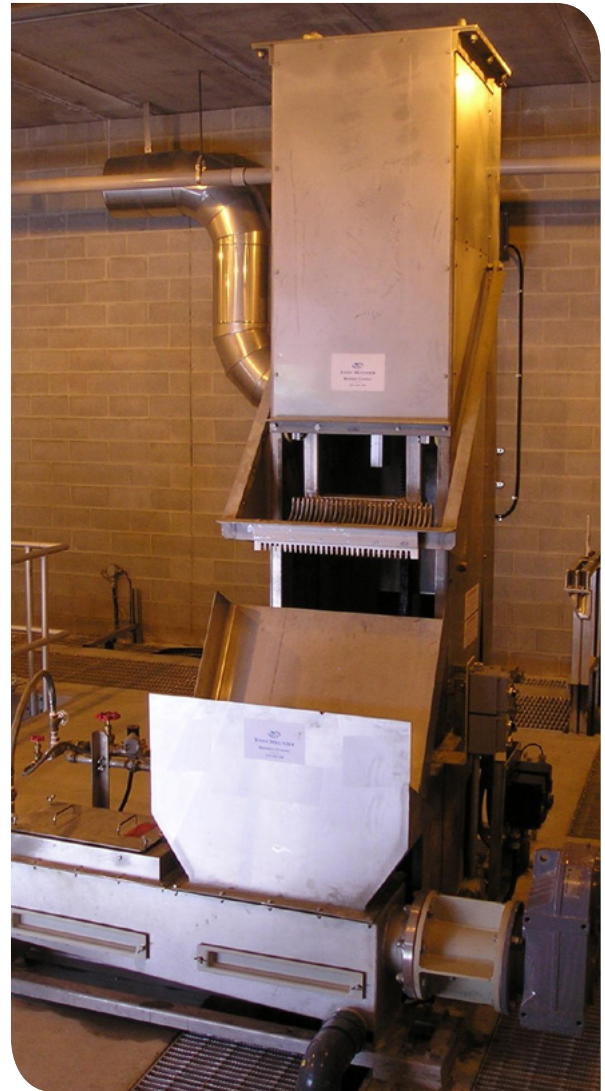
The "Back cleaning", fully penetrating rake does not jam materials into bar rack and fully clears bar rack with each pass.

At the end of a cleaning cycle, the rake overlaps of discharge chute ensures efficient discharge and eliminates "sluffing" back into the channel.

Cont-Flo Bar Screen is totally pre-assembled and tested at the factory prior to shipment.

Cont-Flo Bar Screen's fully automated operation reduces operator involvement.

After more than 30 years, the Cont-Flo continues to provide reliable service for a wide range of applications.



Your pretreatment specialist

A complete line of John Meunier headworks solutions

Resourcing the world

Veolia Water Technologies

4105 Sartelon • St-Laurent, Quebec • H4S 2B3 Canada
tel: 514-334-7230 • fax: 514-334-5070

sales@veolia.com • www.veoliawatertechnologies.ca