



John Meunier ROTOPAC® Type RPW

Screw Washer Compactor

WATER TECHNOLOGIES

John Meunier Rotopac® Type RPW Screw Washer Compactor

Rotopac® RPW

The Rotopac is a simple device for dewatering, washing and compacting. The washing stage promotes return of organic material to process flow. Savings on handling and transport of screenings pay back the capital investment in a short period of time. The Rotopac eliminates problems associated with foul odor and unsanitary handling.

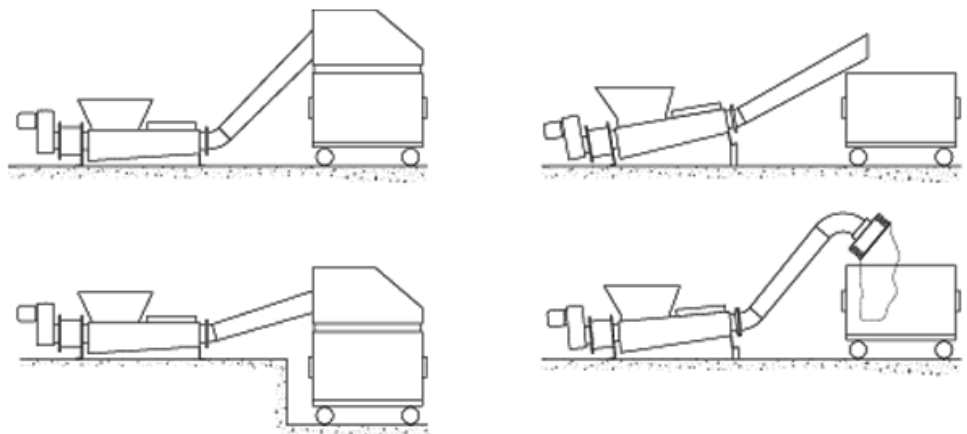
With over 150 installations in North America, the Rotopac Screw Washer Compactor is a proven, reliable component of John Meunier pretreatment products.



PRINCIPLE OF OPERATION

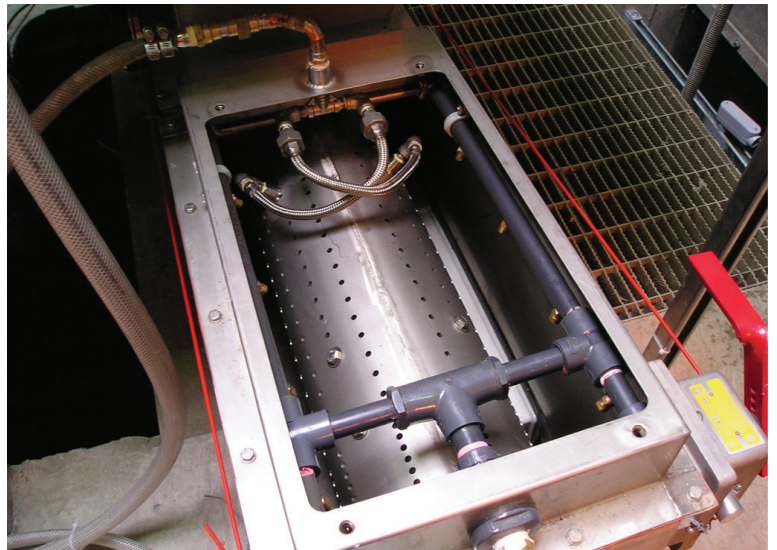
The screenings are introduced into the Rotopac feed hopper (A). A signal starts and stops the compacting screw. The screenings are then washed (B) and dewatered (C) by pressing action. The dewatered screenings are discharged (D) into a collecting bin by way of the discharge duct (E). The pressed-out water is returned to the wastewater channel through a specially constructed drain (F). For sanitary and odor control purposes, the compactor can be fitted with a screenings bagging unit.

TYPICAL EQUIPMENT ARRANGEMENT

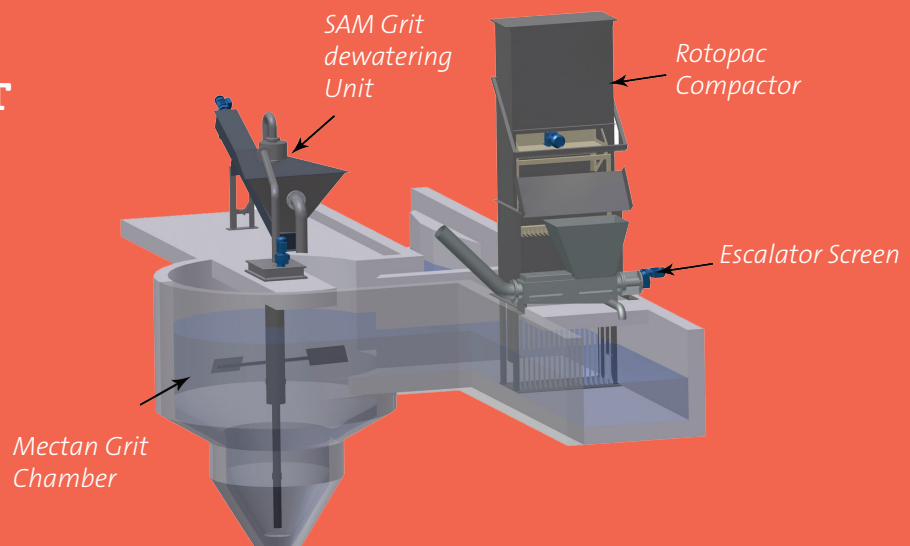


Features

- Low investment cost.
- Minimizes handling and disposal cost.
- Can be adapted to any type of screen.
- Screenings volume reduced up to 70%.
- Dewatered screenings may attain up to 60% dryness.
- Dewatered screenings suited for incineration.
- Completely enclosed system.
- Maximizes odor control.
- Hygienic protection of operating personnel.
- Simple, compact, fully tested and proven.
- Veolia Water Technologies Canada's superior application engineering, support and service.



**YOUR
PRETREATMENT
SPECIALIST**
A complete line
of John Meunier
headworks
solutions



Resourcing the world

Veolia Water Technologies

4105 Sartelon • St-Laurent, Quebec • H4S 2B3 Canada
tel: 514-334-7230 • fax: 514-334-5070

sales@veolia.com • www.veoliawatertechnologies.ca